

CRANDALL CORNER WALL HUNG BASIN

Cat. No
4-9020



Mounting hardware

W: 25-7/8"
D: 19-1/8"
H: 6-3/8"

Water depth 2-1/4" to overflow

Interior Dimensions:

Basin Interior:	22" x 11-3/4"
Basin Depth:	4-3/4"
Back of basin to center of faucet:	4"
Back of basin to center of drain:	10-1/8"
Faucet hole diameter:	1-3/8"

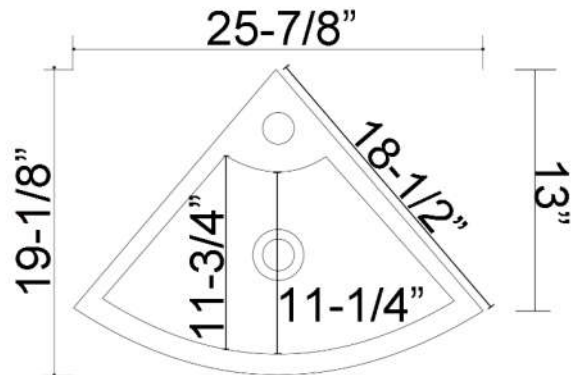
Features:

- ▶ Made of Vitreous China
- ▶ Pre-drilled with 1-3/8" single faucet hole
- ▶ Drain not provided
- ▶ Chrome overflow cover included
- ▶ Mounting hardware included
- ▶ IAPMO certified
- ▶ Overflow is provided



Colors:
WH White

Compliance Certification
Meets or exceeds the following specifications: ASME A112.19.2.2018 for Vitreous china fixtures.



Dimensions of fixture are nominal and may vary within the range of tolerances established by ANSI Standard A112.19.2.2018. Dimensions and specifications subject to change without notice.